

The mechanical grapple for fast and convenient barrier handling. Fully automatic latch and release mechanism - one man operation. This saves time compared to barrier handling with straps or chains. "All weather grip" is ensured by carbide pads.



After setting unit on top of the barrier, let load line go slack, then lift slowly to let the pads "bite". After moving the barrier, lower the Barrier Lifter until the load line is slack again. The Barrier Lifter can now be lifted off the barrier - and it is now automatically set with the arms open for the next lift.

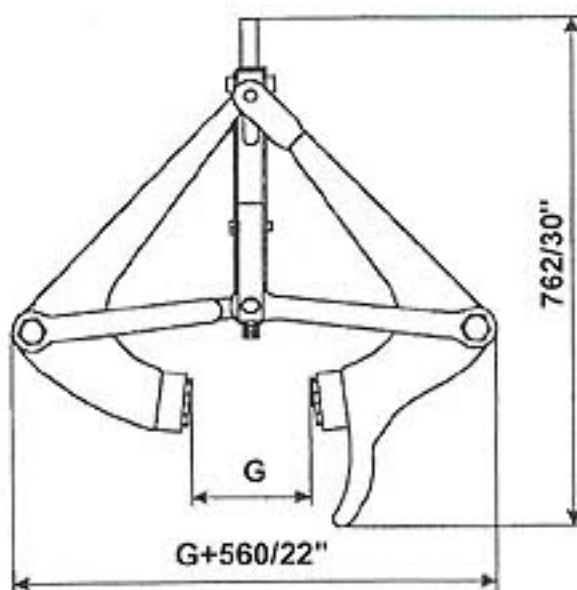
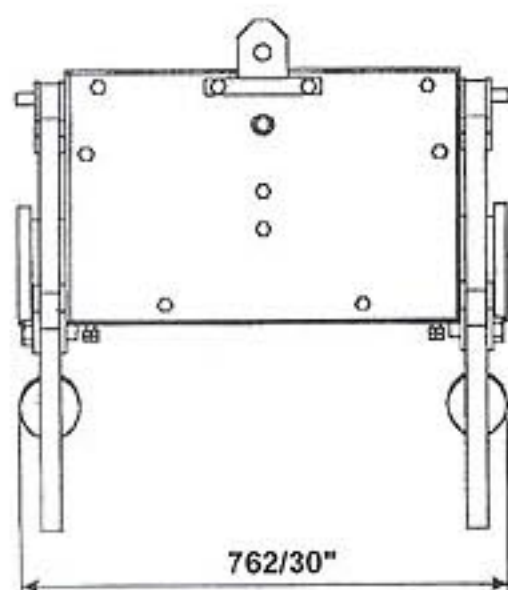


Special carbide pads ensure a positive all weather grip - no matter whether the barrier is dirty, frozen, slippery or painted. Even barriers with uneven surfaces can be held due to separate jaw action. The Barrier Lifter is available with different arm sizes to cover all barrier sizes. Two position links provide additional gripping range.

BARRIER LIFTER KM 932 MB

The Barrier Lifter is a mechanical grapple with fully automatic latch and release system. It is available with different arm sizes to handle all possible barriers. Two position links for one or two inch steps are available to add a bigger opening range to the grapple. The standard two position Barrier Lifter is the 6" - 8", but there is an option for all other models as well.

The usage of carbide pads makes this grapple an all weather tool, no matter whether it is wet or freezing. Barriers with an uneven surface are no problem since the arms are independently suspended and the back of the gripping pad has a spherical shape to adapt.



type	capacity (lbs)	opening (inch)	closing (inch)	weight (lbs)
KM 932MB-6	14500	7.37	5.63	249
KM 932MB-8	14500	9.37	7.63	249
KM 932MB-9	14500	10.37	8.63	249
KM 932MB-10	14500	11.37	9.63	249
KM 932MB-12	14500	13.37	11.63	249
KM 932MB-14	14500	15.37	13.63	249
KM 932MB-6/8	14500	7.37/9.37	5.63/7.63	249
KM 932MB-12T	24000	14.37	6.63	585