

A robust grab for everyday use. Simple but practical.  
Built in the usual KINSHOFER quality and budget priced !

# KINSHOFER



Tapered gripping arms make it easier to enter between the stacks.



Perfect synchronisation due to gearing.



Reduced height due to low rotator position.



Controlled hydraulics. Pressure relief valve and non-return-valve ensures independence from crane pressure and maintains safe clamping force.



Hooks with safety latch can be supplied as an option.



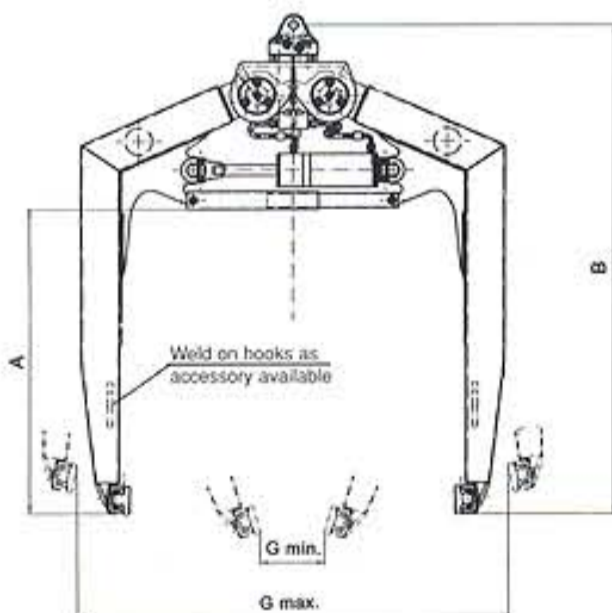
Cylinder well protected against damage even at maximum height of stacks.

Brick grab with precise gear-type synchronisation of the gripping arms. The gripping force considerably exceeds that of comparable grabs in the past. Synchronized opening and closing ensured by sturdy toothed quadrants. Minimum closing range 40mm/1.57" for picking up concrete products such as curbstones.

The hydraulic cylinders are protected from damage by lower guard plates.

A low overall height including rotator is achieved through the special design.

The KM 331 series complies with all safety requirements and offers closing forces and lifting capacities demanded by the applicable safety standards.



### BRICK GRAB KM 331 c

| model    | plunge depth A (mm/inch) | height B (mm/inch) | opening range G (mm/inch) | capacity (kg/lbs) |
|----------|--------------------------|--------------------|---------------------------|-------------------|
| KS 331 c | 1000/39.3                | 1650/64.9          | 220-1420/8.66-55.90       | 2000/4400         |
|          | 1100/43.3                | 1750/68.9          | 160-1450/6.30-57.08       | 2000/4400         |
|          | 1200/47.2                | 1850/72.8          | 98-1475/3.86-58.07        | 1800/3960         |
|          | 1300/51.1                | 1950/76.7          | 40-1500/1.57-59.05        | 1600/3520         |

Other plunge depths available on request.

### ACCESSORIES:

#### COMPRESSION RAILS

length: 1000 or 1250 mm/ 39.4 or 49.2"

#### LIFTING HOOKS with safety latches

set of 4 hooks

#### Package "c" includes:

compression rails (1000 mm/39.4")  
continuous rotator KM 04F,  
hoses (rotator to grapple),  
and cardan link.

Total weight of KS 331 with 1000 mm rails, rotator, crane link and hoses.

| model       | weight (kg / lbs) |
|-------------|-------------------|
| KS 331-1000 | 320 / 704         |
| KS 331-1100 | 325 / 715         |
| KS 331-1200 | 330 / 726         |
| KS 331-1300 | 335 / 737         |