

# Clamshell Bucket

KM 604/KM 604-U

The ideal solution for light-weight truck loader cranes in daily routine work. Suitable for digging in light to medium soil. Built in the usual KINSHOFER Quality – budget priced !



Hydraulic ram with forged connection case for best load transmission.



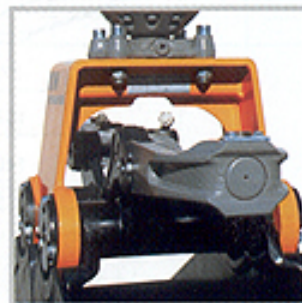
Excellent digging properties achieved by optimum geometry of the shells.



Proven bucket bearings, also used in other KINSHOFER Grabs. With bronze bushes for extended service life.



Synchronized opening and closing through sturdy compensation bar.



The same width of bucket carrier and shells ensure minimum distortion at bearing points.

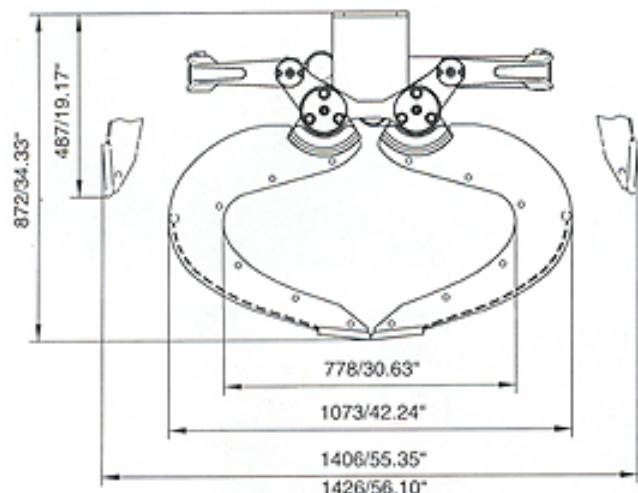
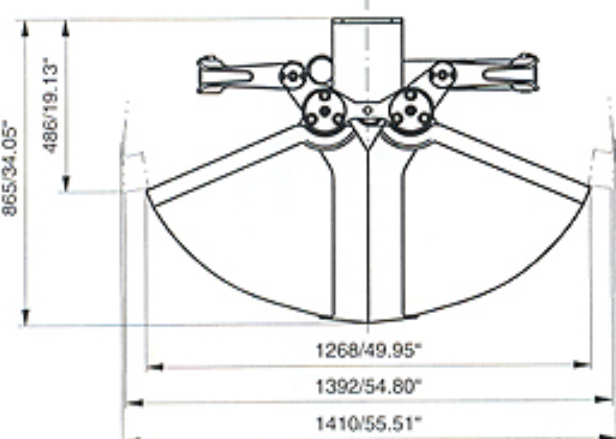
KINSHOFER

The single horizontal cylinder results in a low profile. Good excavating characteristics are achieved by means of the close-mounted pivots. A rugged construction with a low dead weight.

The linkage arms containing the hydraulic cylinder are made of nodular-graphite cast iron. The buckets are of hard-wearing manganese steel, which means low wear and tear. Forged bearing pins and bronze bearings with grease nipples ensure a long operating life.

Excavating teeth, scrapers, and adapters are available as accessories.

A pressure relief valve makes the cylinder independent of the crane operation pressure (internal working pressure 260 bar/3770 psi) The KM 604 meets all requirements of DIN 15428 and the EC directive on machinery.



## KM 604 CLAMSHELL BUCKET

| type   | capacity (litre/cu.yds) | width (mm/inch) | quantity of teeth | weight (kg/lbs) |
|--------|-------------------------|-----------------|-------------------|-----------------|
| KM 604 | 150 / 1/5               | 325 / 12 3/4    | 3                 | 175 / 385       |
|        | 200 / 1/4               | 400 / 15 3/4    | 3                 | 185 / 407       |
|        | 250 / 1/3               | 500 / 19 2/3    | 5                 | 200 / 440       |
|        | 325 / 2/5               | 600 / 23 2/3    | 5                 | 210 / 462       |
|        | 350 / 1/2               | 650 / 25 1/2    | 5                 | 220 / 484       |
|        | 450 / 3/5               | 800 / 31 1/2    | 9                 | 245 / 539       |

## ACCESSORIES:

### Excavating Teeth

Bolt-on. A set consists of one tooth with two nuts and two bolts.

### KM 684 01 Scraper

Recommended for narrow sizes and use in wet soil applications.

### KM 685 05 Adapters

Enable mounting of compression rails, for handling paving slabs, curbstones or concrete rings on building sites.

**A non-return valve must be fitted.**

### KM 381 09 Compression Rails for adapters

Available length 720 mm / 28 1/3 inch or 1000 mm / 39 1/3 inch.

### KM 604-U MULTI-PURPOSE GRAB

With open shells. Suitable for excavating as well as for loading leafage and grass, bulk material, long and short waste wood and branches and compact building materials, like curbstones. A pressure relief valve makes the cylinder independent of the crane operation pressure (internal working pressure (260 bar/3770 psi)

| type     | width (mm/inch) | weight (kg/lbs) |
|----------|-----------------|-----------------|
| KM 604-U | 500 / 19 2/3    | 265 / 583       |
|          | 650 / 25 1/2    | 275 / 605       |
|          | 800 / 31 1/2    | 300 / 660       |