

KINSHOFER

A powerful trench digger. A light duty clamshell bucket for operation on a truck loading crane and a heavy duty model for use on excavators are available. The solution for earth moving and road construction.



The bucket carrier always matches the width of the bucket for low torsion forces. Vertical hydraulic cylinder with piston rod protection.



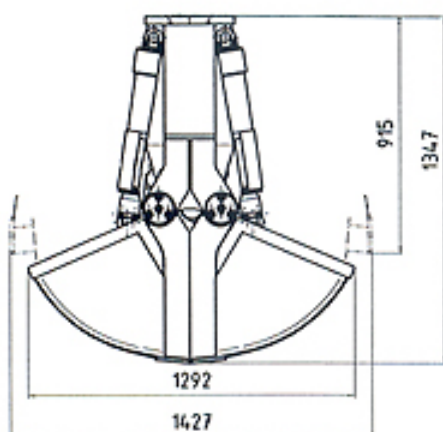
Synchronized bucket movements due to sturdy compensation rods.



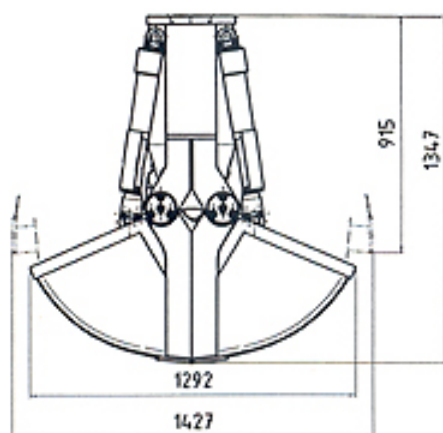
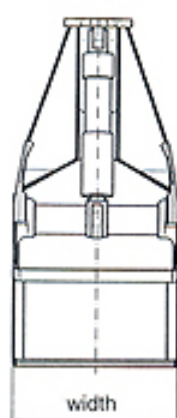
Well proven bearing system. Easy maintenance and special sealing ensure long service life.

For truck mounted cranes and wheeled excavators up to 13 tons dead weight. Internal pressure limiter makes it suitable for operating pressure up to 260 or 320 bar / 3770 or 4640 psi. Sealed bucket bearings with coated bearing parts. The close mounted pivots

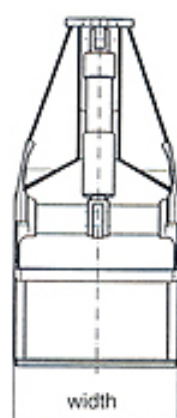
result in excellent excavating characteristics and a high closing force. Piston rods with protective sleeves. Using a rotator with vertical oil ducts allows for short hose connection. Digging teeth available as accessories for KM 607.1 and 607.2.



KM 607.1



KM 607.2



CLAMSHELL BUCKET KM 607.1

For truck mounted cranes and wheeled excavators up to 13 tons dead weight. Operating pressure 260 bar/3770 psi

Type	width (mm/inch)	capacity (litre/cu.yds)	teeth	weight (kg/lbs)
KM 607.1	325/12 ¹ / ₂	150/0.20	3	260/572
	400/15 ³ / ₄	200/0.25	3	280/616
	500/19 ² / ₃	250/0.33	5	300/660
	600/23 ² / ₃	325/0.43	5	320/705
	650/25 ¹ / ₂	350/0.50	5	340/748
	800/31 ¹ / ₂	450/0.60	9	360/792

CLAMSHELL BUCKET KM 607.2

for heavy-duty truck-mounted cranes and wheeled excavators up to 13 tons dead weight. The heavy-duty version of the KM 607 with reinforced buckets and cutting edges. Operating pressure 320 bar/4640 psi.

Type	width (mm/inch)	capacity (litre/cu.yds)	teeth	weight (kg/lbs)
KM 607.2	325/12 ¹ / ₂	150/0.20	3	260/572
	400/15 ³ / ₄	200/0.25	3	280/616
	500/19 ² / ₃	250/0.33	5	300/660
	600/23 ² / ₃	325/0.43	5	320/705
	650/25 ¹ / ₂	350/0.50	5	340/748
	800/31 ¹ / ₂	450/0.60	9	360/792
	1000/39 ² / ₅	550/0.75	9	385/847

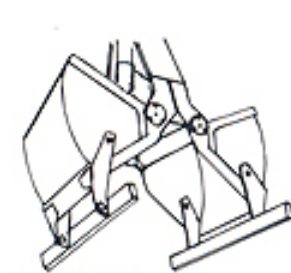
Accessories:

ADAPTER KM 685 05

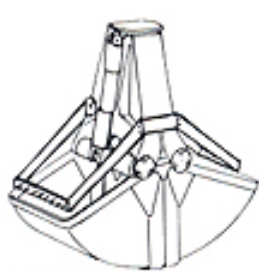
To fit on KM 607 models. Compression rails, for loading paving stones, curbstones, manhole sections, concrete tubing, etc.

SCRAPER KM 685 04

To fit on KM 607 models. For clamshell buckets with narrow shell width and for digging in clay.



KM 685 05



KM 685 04