

KINSHOFER

Large objects can be handled, regardless of type ie boulders, rocks, tree trunks or curbstones. Light excavation is possible. With the KINSHOFER grapple a multiple choice of operation is possible due to its additional accessories.



KM 613-0,16
Rock grapple



The "big brother" of the KM 613 with a capacity of 3 1/4 sq.ft.. An articulation joint offers extra movements.



Curbstones, paving slabs or other materials like railroad sleepers can be handled with the rails equipped with rubber inserts.



The add-on-buckets for digging/loading soil. A useful and effective attachment for landscaping and horticulture. Bucket stand for quick and easy mounting.

Especially for operation on truck cranes and and light-weight excavators up to 5-ton operating weight.

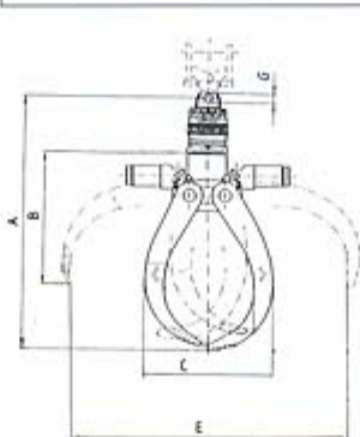
KM 613-0,16

Sturdy rock grapple based on the construction of a timber grab. With special prongs. For operation on plant equipment from 5-13 tons operating weight.

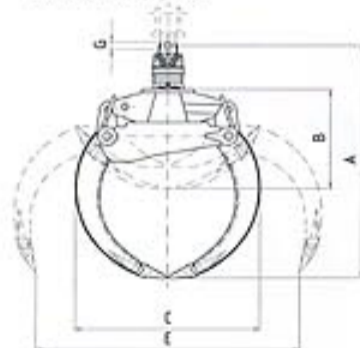
KM 613-0,35

Extremely rugged grab with wide spacing of the gripping arm pivots. For operation on plant equipment up to 18 tons operating weight.

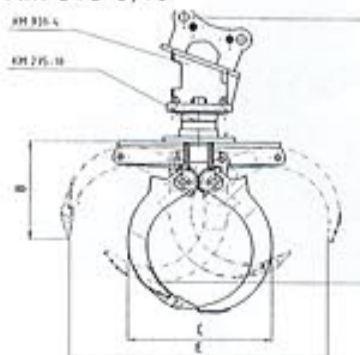
KM 613-0,40



KM 613-0,16



KM 613-0,40



KM 613-0,35

KM 613 ROCK GRAPPLE
cardanic suspension for operation on truck cranes and excavators.

type	capacity (sq.ft.)	weight (lbs)
KM 613-0,16 with KM 04F	1 1/4	362
KM 613-0,35 with KM 06F	3 1/4	760
KM 613-0,40 with KM 07F	4 1/4	825

UPPER SUSPENSION (CARDANIC)
available with or without pendulum damper, fitted to appropriate rotator. Please state dimensions for connection to plant equipment.

KM 613 ROCK GRAPPLE
rigid connections for operation on excavators from 5-13 tons

type	capacity (sq.ft.)	weight (lbs)
KM 613-0,16 with KINSHOFER rotator	1 1/4	462
KM 613-0,35 with KINSHOFER rotator	3 1/4	847
KM 613-0,40 with KINSHOFER rotator	4 1/4	891

VARIOUS RIGID CONNECTIONS FOR OPERATION ON EXCAVATORS

type	degree of swivel	weight (lbs)
KM 931-0 for mounting on quick coupling plate*	slewing above bucket cylinder	dependent on model
KM 931-4 swivelling device	slewing above bucket cylinder	
KM 931-1 articulating joint with integrated hydr. cylinder	slewing above bucket cylinder and tilting to the side (2x45°) with integrated hydr. cylinder	

*not included

ACCESSORIES:

- Add-on buckets (capacity depending on size of grab)
- Bucket mounting stand (for easy changing of buckets)
- Compression rails with support (for lifting curbstones eg.)

type:	max capacity (lbs)	plant equipment (tons)	capacity (sq.ft)	opening range max. (inch)	A	B	C	D	E	F	G	weight (lbs)
KM 613-0,16	2200	2-5	1 1/4	48 1/2	33	23 1/4	28 1/2	16 1/2	48 1/4	3 1/2	1 1/4	363
KM 613-0,35	4400	5-13	3 1/4	64 1/2	34 1/2	28 1/2	36 1/2	19	64 1/2	3 1/2	1 1/2	805
KM 613-0,40	6600	10-18	4 1/4	62 1/2	55 1/2	39 1/2	36 1/2	17 1/4	62 1/2	4 1/2	2	871